



# APM CO., LTD

## APM-201

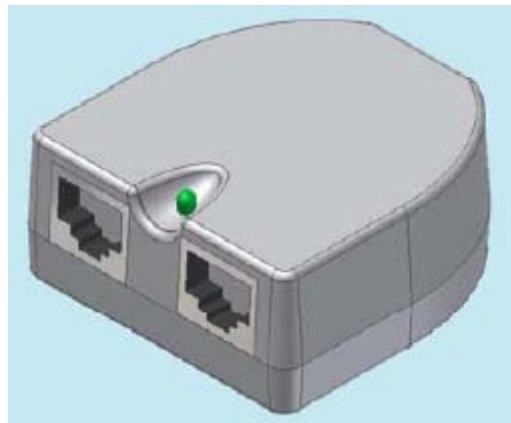
### Base Unit for Power Over Ethernet

#### 1. Features :

- 1.1. Single-Port Power Injector
- 1.2. IEEE 802.3af compliant
- 1.3. No Software Required
- 1.4. Easy to Install
- 1.5. Use Existing Ethernet Cable

#### 2. Input Specifications :

- 2.1. Power Interface : DC Jack (See Pin Assignment)
- 2.2. Data Interface : RJ-45 jack (See Pin Assignment)
- 2.3. Input Voltage :  $48V \pm 10\%$  \* Applied from External Switching Adapter ( 90 ~ 264Vac)
- 2.4. Input Current : 400 mA Max.



#### 3. Output Specification :

- 3.1. PD Detection & Classification :  
IEEE 802.3af compliant
- 3.2. Interface : RJ-45 jack (See Pin Assignment)
- 3.3. Output Voltage :  $48V \pm 10\%$  (42,53)
- 3.4. Output Current : 0.35 A Max.
- 3.5. Output Power : 15.4W Max.
- 3.6. LED Display : PoE Not Active (Orange), PoE Active (Green)

#### 4. General Specification :

- 4.1. Operating Temperature :  $0^{\circ}C \sim +50^{\circ}C$
- 4.2. Storage Temperature :  $-20^{\circ}C \sim +70^{\circ}C$
- 4.3. Humidity : Up to 90 %
- 4.4. Cooling : Free air convection

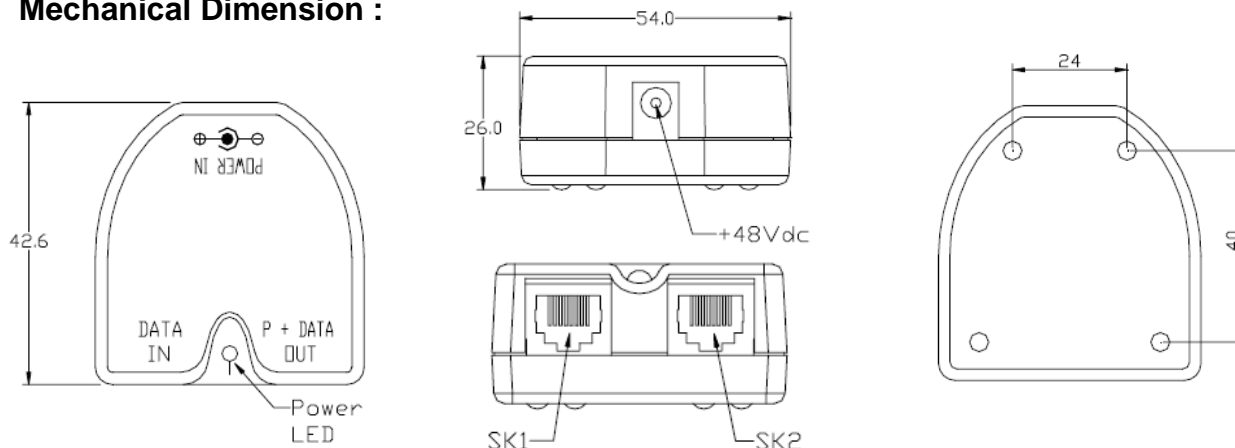
#### 5. Pin Assignment :

Pin	LAN IN	LAN Out	Pin
1	Tx (+)	Tx (+)	1
2	Tx (-)	Tx (-)	2
3	Rx (+)	Rx (+)	3
4	N.C.	+48V	4
5	N.C.	+48V	5
6	Rx (-)	Rx (-)	6
7	N.C.	GND	7
8	N.C.	GND	8



DC Phone Jack  
O.D. x I.D. = 5.5 x 2.5  $\phi$

#### 6. Mechanical Dimension :



Units : m/m & Tolerance : 0.xx  $\pm$  0.25